



Vodolská 4
250 70 Odolena Voda
Czech Republic
Tel.: 283971309
e-mail:info@woodcomp.cz
<http://www.woodcomp.cz>

USER MANUAL

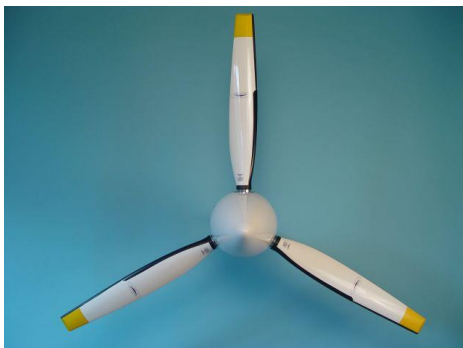
UM – 06 EN

AIRCRAFT PROPELLER

Type-Model: KW-30

Variant:

Serial No:



CONTENT

1.	List of Valid Pages	4
2.	List of Revised Pages	5
3.	Introduction	6
4.	Manufacturer	6
5.	Type Certificate Holder	6
6.	Serial Number	7
7.	General Information	7
8.	Operating Safety.....	7
9.	Propeller Properties.....	8
10.	Technical Description.....	9
10.1.	Product Label.....	10
10.2.	Propeller Designation System.....	11
10.3.	The Hub	11
10.4.	Blades.....	11
11.	Basic Performance Data	12
12.	Connection of KW-30 Propeller to Engine	13
12.1.	Propeller flange dimensions.....	13
13.	Propeller Unit Adjustment	14
13.1.	Adjustment before First Flight	14
14.	Operation Instruction	17
14.1.	Mounting propeller on engine.....	17
14.2.	Starting engine and performing engine test.....	17
14.3.	Taxiing	18
14.4.	Take Off	19
14.5.	Horizontal Flight.....	19
14.6.	Aircraft Manoeuvres and Turbulence	20
14.7.	Maximum Flight Velocity	20
14.8.	Landing	20
14.9.	Stopping the Engine	20
14.10.	Emergence Procedures	20
15.	Transport, Handling, Storage.....	22
15.1.	Propeller Delivery	22
15.2.	Handling.....	22
15.3.	Storage	22
15.4.	Transport	22
15.5.	Responsibility for Transport	23
16.	Inspections	24
16.1.	Pre-flight Inspection	24
16.2.	After first 25 operation hours or after each new installation	25

16.3.	After 100 operating hours	25
16.4.	Medium Repair	25
16.5.	Overhaul	25
17.	Airworthiness Limitations Sections.....	25
18.	Special Inspections	26
19.	Repairs	27
19.1.	Blade Repairs.....	27
19.2.	Repairs of Propeller Hub and Metal Parts	28
19.3.	Repairs of Propeller Spinner	28
19.4.	Replacement of Polyurethane Protective Tape	28
20.	Troubleshooting	30
21.	Warranty Conditions.....	31
21.1.	Warranty Period	31
21.2.	Warranty Conditions	31
21.3.	Responsibility	31
21.4.	Honoring the Claim	31
	WARRANTY CERTIFICATE	32
	KW-30 PROPELLER.....	33

1. List of Valid Pages

Page	Revision	Date	Page	Revision	Date
1	3	08.04.2020	24	2	31.05.2018
2	3	08.04.2020	25	3	08.04.2020
3	3	08.04.2020	26	3	08.04.2020
4	3	08.04.2020	27	2	31.05.2018
5	3	08.04.2020	28	3	08.04.2020
6	3	08.04.2020	29	2	31.05.2018
7	0	21.01.2014	30	0	21.01.2014
8	0	21.01.2014	31	2	31.05.2018
9	2	31.05.2018	32	0	21.01.2014
10	2	31.05.2018	33	1	11.08.2014
11	2	31.05.2018	34	0	21.01.2014
12	3	08.04.2020	35		
13	3	08.04.2020	36		
14	0	21.01.2014	37		
15	1	11.08.2014	38		
16	1	11.08.2014	39		
17	3	08.04.2020	40		
18	0	21.01.2014	41		
19	0	21.01.2014	42		
20	2	31.05.2018	43		
21	0	21.01.2014	44		
22	0	21.01.2014	45		
23	0	21.01.2014	46		

2. List of Revised Pages

Changes to this manual are done by means of revisions and may only be made by the manufacturer.

The revisions shall be recorded in the table below.

New or revised text on a revised page will be marked by a black vertical line on the right side of the page. The date and number of the revision will be recorded on the bottom edge of the revised page.

Revision	Date of the revision	Revised pages	Date of insertion	Signature
1	11.08.2014	4, 5, 12, 15, 16, 33		
2	31.05.2018	4, 5, 9 - 12, 17, 20, 24 – 29, 31		
3	08.04.2020	1 - 6, 12, 13, 17, 25, 26, 28		

3. Introduction

Read this manual carefully before putting the product into service to get basic information on operational safety.

If you do not understand the contents or if in doubt, always contact propeller manufacturer – Woodcomp Propellers s.r.o.

We wish you many pleasant flights with Aleš KŘEMEN – WOODCOMP propellers.

4. Manufacturer

Woodcomp Propellers s.r.o.

Vodolská 4, Dolíněk
250 70 Odolena Voda
Czech Republic

Legal form: Limited Liability Company, registered in the Trade Register maintained by City Court in Prague, section C, file 80616

Company ID: 018 93 351

VAT No: CZ01893351

Phone: +420 283 971 309

e-mail: info@woodcomp.cz

<http://www.woodcomp.cz>

5. Type Certificate Holder

Ales KREMEN Company

Vodolská 4, Dolíněk
250 70 Odolena Voda
Czech Republic

Legal form: Natural person authorized to perform business according to Law on Entrepreneurship, registered in the Trade Register maintained by City Court in Prague, section A, file 58514

Company ID: 279 52 428

VAT No: CZ6006101046

Phone: +420 283 971 309

Email: info@woodcomp.cz

<http://www.woodcomp.cz>

6. Serial Number

Please state the correct type designation and serial number of the propeller each time you contact the manufacturer.

These data are specified on the first page of this User Manual, on Warranty Certificate and on Product plate fixed on the propeller blade No. 1

7. General Information

KW-30 propellers are reliable and field tested in long lasting operation, however problems might occur as with any product.

Although it is impossible to eliminate all the risks involved just by reading the manual, they can be minimized by applying the information presented and using the propeller properly.

Information and descriptions in the manual are valid at the time of publication. Users of Aleš Křemen propellers may be informed about changes or mandatory measures by publication in the form of service bulletins at Woodcomp Propellers website (<http://www.woodcomp.cz>).

Illustrations in this manual are for information only and do not replace drawings in technical documentation.

Technical data are specified in SI metric system.

The manual may be translated from Czech to any other language, but the original Czech text will held decisive validity.

8. Operating Safety



This propeller is subject to approval by aviation authorities, and is always operated on users' own risk!

Aerobatics and intentional spins with this propeller are prohibited!

Operation in icing conditions is not permitted!

- ❖ Only use propeller on engine and aircraft combination recorded in the Propeller Log Book.
- ❖ Do not over speed the propeller to higher than maximum permitted rpm, with the exception of emergency procedures detailed in Chapt. 14.10.
- ❖ Do not start the engine manually by the propeller.
- ❖ Pulling/pushing the aircraft using the propeller is only possible when holding the propeller blade root part closest to the hub.

- ❖ Before starting the engine, always check the condition of propeller and its mounting.
- ❖ Before starting the engine, always ensure that the propeller and its surroundings are clear.
- ❖ Record all data concerning propeller operation and repairs in the Propeller Log Book.
- ❖ Do not transport nor store the propeller standing on blade tips, even for short time!
- ❖ Do not store the propeller in extremely damp environment, and do not leave it outside in rain for extended periods.

9. Propeller Properties

Hydromechanical propellers KW-30 family are equipped by an automatic rpm governor (Constant Speed Propeller). This concept allows best possible use of engine power while offering much better comfort when using the propulsion unit.

The pilot selects the desired engine power by engine controls as usual. Activation of governor then ensures automatic control of engine rotational speed (boost pressure must be within the range recommended by the engine producer) to keep propeller speed constant, regardless of changes in cruise speed, descent, turbulence, and flight manoeuvres, all without pilot's intervention. Maximum permissible rpm of propulsion unit will not be exceeded.

A plane with a propeller like this features a short takeoff run, high rate of climb to reach its flight level, low fuel consumption for the flying range or endurance demanded, and the possibility of a quick change to the maximum flight speed. The propeller also improves aircraft's service ceiling. A plane with this propeller performs better in glider towing as well.

Constant speed propeller protects the propulsion unit from damage caused by mishandling during operation.

KW-30 family propellers meet the requirements of standard airplane categories thanks to their control stability and quick reaction.

10. Technical Description

KW-30 family of propellers is designed for aircraft with piston engines up to 104kW (141HP), coupled with reducing gearbox, pressure oil distribution system and with a pad for governor installation.

KW-30 propellers are constant speed propellers of hydro-mechanical design. In rest position (without oil pressure), propeller blades are set to the fine pitch, secured by a mechanical stop.

Down pitching of blades is controlled by mass and aerodynamic effects acting on them and by means of an auxiliary screw spring in the propeller axis. In order to assist the force of the return springs, some propeller variants may be fitted with additional weights mounted on the blade ferrule. Up pitching is controlled by increasing oil pressure in the propeller servomechanism, which keeps the system in equilibrium.

Control is exerted by hydraulic governor which increases oil pressure when the propeller speed goes up ("increase" type). Pressurised oil flows through propeller shaft axis into hydraulic servomechanism located in hub attachment. It consists of a cylinder, whose bottom end contacts propeller flange on the engine. Inside the cylinder, there is a piston and piston rod on which a yoke is situated, acting via brass stones on eccentric pins placed in blade root ferrules. Gross blade pitch angle stop is located at the piston rod's front end.

The propeller hub and other load carrying parts are made of aluminum alloys.

Propeller blades are made of resonation spruce wood core, connected to the blade root material by slashing and gluing. Blade roots are made of hardened wood. Blade surface is made of glass or carbon laminate, protected by gelcoat layer. This structure has exceptional mechanical parameters, low weight, great resistance and perfect look.

Blade root is precisely machined, inserted into duraluminum hub, and secured by steel screws with special thread. Blade outboard leading edges are protected against damage with a layer of cast polyurethane or optionally by stainless steel sheaths, their inboard part (near the propeller centre) with a self-adhesive polyurethane tape

Blade root is fixed to the hub by a nut with rubber O-ring to prevent lubricant leak from the bearings, with PTFE slide ring and 40% bronze inset. Blade root is held in two axial needle-type bearings by a supporting nut.

The blade tips can be painted e.g. red to improve visibility when in motion.

Composite spinner is also a part of the propeller.

10.1. Product Label

Propeller blade No. 1 bears a label, containing the following information:

- Manufacturer's name
- Propeller type designation
- Propeller serial number

WOODCOMP <small>CZECH REPUBLIC</small>		Woodcomp Propellers s.r.o. Czech Republic www.woodcomp.cz		CZ 21G.0055 CZ 145.0082
Manuf.	Woodcomp Propellers	TCDS		
Model		S/N		
Date		WO		Insp.

Where:

TCDS - Type authorization number (EASA.P.177)

Model - Propeller variant (např.: KW-30-A-H-3-0-0-F/LP-173-033)

S/N - Propeller serial number

Date - Date of manufacture (MM/YY)

WO - Work Order number

- Abbrev. NEW – New product; OH – Overhauled; REP – Repaired;
- INSPE – Inspected/Tested; MOD – Modified

Insp. - Inspecting technician's number

Each installed propeller blade bears manufacturing label, containing the following information:

BLADE
Pos.	S/N
HUB

Where:

BLADE -Type of blade (Part Number)

Pos. - Position within propeller hub

S/N - Propeller blade serial number

HUB - Propeller serial number

10.2. Propeller Designation System

HUB
/
BLADES
KW – xx – () – () – () – () – () – () / () – () – ()
 1 2 3 4 5 6 7 8 / 9 10 11

10.3. The Hub

- | | | |
|----------|--|---|
| 1 | KW | Propeller Type |
| 2 | Propeller Model | Number of propeller model |
| 3 | Code letter for propeller category: | A - Automatic Propeller
F - Fixed Pitch Propeller
G - Ground Adjustable Propeller
V - Variable Pitch Propeller |
| 4 | Code letter for blade pitch change system: | H – Hydraulic
E – Electric
M – Mechanical |
| 5 | Number of blades installed | |
| 6 | Code letter for feathering system: | F – Feather position installed
O – No feather position possible |
| 7 | Code letter for reverse provision: | R – Reverse position installed
O – No reverse position possible |
| 8 | Code letter for flange type listed in Aleš KŘEMEN Service Bulletin No. 4 | |

10.4. Blades

- | | | |
|-----------|---|--|
| 9 | Code letter for blade design and installation: | R - Right-hand tractor
RP - Right-hand pusher
L - Left-hand tractor
LP - Left-hand pusher |
| 10 | Propeller diameter in v cm | |
| 11 | Blade type identification (contains design configuration and aerodynamic data) according to the certified hub/blade-combinations. | |

11. Basic Performance Data

Propeller model	KW-30				
Number of blades installed	3				
Blade type	- 031 („W“)	- 033 („C“)	- 034 („B“)	- 037 (“WA”)	- 038 (“WA”)
Diameter ± 4mm	Right:1744 Left: 1720	1732	1648	1950	1950
Min. angle setting	5°				
Max. angle setting	50°				
Max. engine power output N _{max} - (HP / kW)	141 / 104				
Max. propeller RPM – n_{max}	2550			2300	
Temperature Service Rate	-25°C / +45°C				
Moment of mass inertia (kg m ²)	0,6			0,94	0.74
Mass of complete propeller	~ 11			~ 13	~ 12
	acc. to type of blades and spinner				
Mass of Jihostroj governor (kg)	0,90				
Lifetime	Propeller lifetime is not specified if every mandatory periodical inspection is performed in specified intervals				

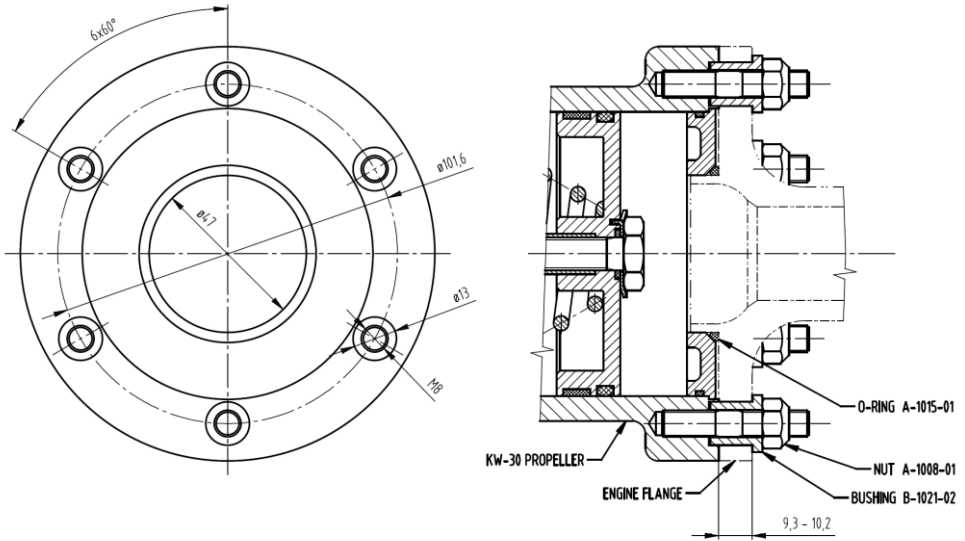
To be compatible with KW-30 propeller the aircraft engine must be equipped with:

- Reducing gearbox with governor drive pad,
- Propeller shaft supplying pressure oil to the propeller,
- Hydraulic governor*
- Governor control from cockpit.

* List of operationally validated governors is provided in Aleš Křemen Service Bulletin SB No. 03 in the current version.

12. Connection of KW-30 Propeller to Engine

12.1. Propeller flange dimensions



Dia. 13mm holes on dia. 101.6mm circles are used to attach KW-30 propeller.

13. Propeller Unit Adjustment

Propeller unit consists of a propeller and a governor. Connection between the governor and pilot forms a part of aircraft fuselage, can differ in each particular case, and as such, is not detailed in this text.



Adjustment of propeller unit by persons not authorized by the manufacturer is strictly prohibited.

Although the adjustment of propeller unit on aircraft is simple, improper modification of settings may be dangerous to propulsion unit and operating safety.

13.1. Adjustment before First Flight

This chapter discusses propulsion unit setting before the first flight of new aircraft and/or after a replacement or repair of the propeller, or its governor.

The manufacturer supplies units already factory-adjusted and ready for installation on to aircraft and engines of serial production, which are well-known to the propeller unit manufacturer. In this case, simply fit the unit, bleed the air, and conduct pre-flight tests followed by test flight.

Propeller unit must be set correctly to work properly and to be “fail safe”. KW-30 propeller units, i.e. the propeller with the governor, are very reliable; however, regulations for standard category aircraft, according to which this propeller unit is built, require that a plane should be able to fly, albeit with limited flight envelope, even after the propeller control has been damaged. This effectively means that the plane must be able to keep flying in the case when its propeller remains fixed at the minimum pitch (take-off position) while the governor is off, if the propeller remains fixed at maximum pitch angle, and also when it becomes stuck in any in-between position.

The regulations also require that the propeller unit must not require any pilot intervention (change of controls set before the takeoff) during takeoff and initial climb phases of the flight.

To meet these requirements, the propeller unit has a number of setting elements. All speed and angle settings are determined by the manufacturer. You should require these to be changed, always consult the issue with the manufacturer.

13.1.1. Propeller Governor Adjustment

Governor maximum speed is the only setting to be made. Minimum governed speed is determined by governor design, and usually these are 50-60% of maximum speed. In case of failure of pilot-governor control link, the governor will set takeoff regime (fine pitch) automatically.

Adjustment procedure:

1. Loosen propeller fine pitch stop (self locking nut) by 2 turns, this moves piston rod deeper inside the propeller. This nut is located at front part of the hub, and as such it is accessible after removal of aerodynamic spinner.

This adjustment of the moment when propeller governor actually starts to reduce engine speed allows you to adjust lower maximum speed allowed by the governor.

2. Start the engine.

3. Slowly and carefully increase the power output of the engine by acting on the gas lever, while observing the engine rpm.

The engine speed will go up to 5730 to 5750rpm (ROTAX 912 engine). Speed increase should stop at this moment.

If the speed settles at lower rpm than given above, stop the engine and adjust the lever stop of the governor speed selector so as to extend the lever movement in the direction in which it is pulled by the return spring.

If the speed increases above this value, shorten the lever travel by adjusting the stop.

4. Repeat steps 2 and 3 until you reach desired maximum governed speed.

5. Secure governor speed selector lever stop.

13.1.2. Propeller Fine Pitch Angle Stops Adjustment

This adjustment is performed after governor adjustment (see Chapter 13.1.1 above) as follows:

1. Screw in propeller fine pitch stop nut by 2 turns. (This moves piston rod out of the propeller.)

2. Check that the governor speed selector remains in the takeoff position, i.e. on the stop to which it is pulled by the return spring.

3. Start the engine.

4. Increase engine power output up to its maximum.

Rpm must increase smoothly, up to full throttle without governor intervention. At full throttle, rpm must be lower than the maximum allowed by propeller manufacturer. For instance, ROTAX 912 engine in planes climbing at lower velocity (ca 80–90km/h) should

reach about 20rpm less than the governor setting. In planes climbing at higher velocity (ca 110 - 120km/h), this engine should reach about 120 - 150rpm less.

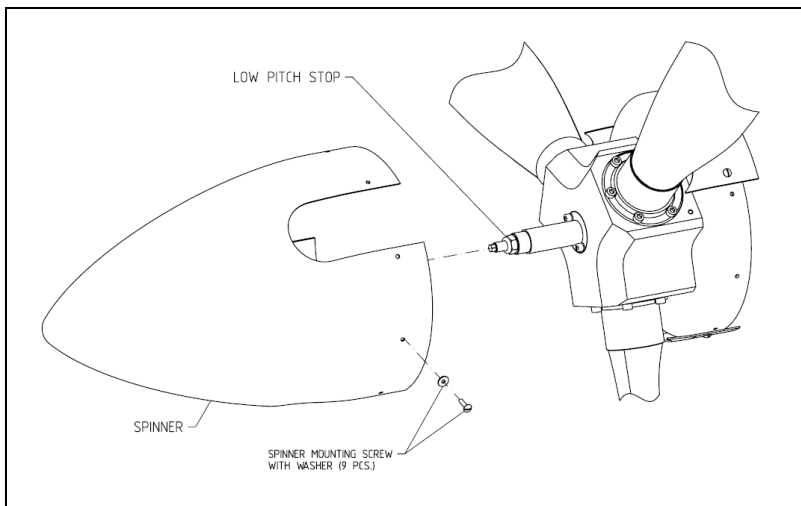
If you need lower rpm, tighten propeller fine pitch stop nut. Loosen it to obtain higher setting.

5. Repeat steps 2 to 4 until you reach desired governed speed.

6. Install spinner back onto propeller. Position spinner so that the red dot on the spinner external surface meets the red dot on the backplate (withal blade No. 1). Fasten the spinner using 9 screws and washers, with Loctite 243 applied.

Remark:

Propeller adjustment must be performed with clean propeller blades, as any soiling (e.g. insects) influences its aerodynamic properties, leading to the misadjusted of fine pitch stop. Do not adjust the propeller at strong winds or gusts. It is not recommended to set the propeller at extreme temperatures.



Fine (low) pitch stop location

14. Operation Instruction

14.1. Mounting propeller on engine

1. Put a vessel beneath front part of engine to contain the oil which may escape from propeller reducer shaft or from propeller servo-system.
2. Check flange contact surfaces of reducer shaft and propeller and clean them to make them dry, clean and rust free.
3. Fit centring bushings (dia 13mm) into six flange holes at reduction gearbox side.
4. Put rubber sealing O-ring P/N A-1015-01 onto 47mm centering piece. It is recommended to use new O-ring at each assembly.
5. Check that the aerodynamic spinner holding plate is mounted on the propeller hub.
6. Mount propeller on flange and fix it using six self-locking nuts; torque the nuts to 22Nm.
7. Start the engine and perform engine test according to Chapter 14.2; observe the joints to ensure that oil is not leaking.
8. Perform propeller unit adjustment according to the Chapter 13.1.1 and 13.1.2 when necessary.
9. Mount the spinner on the propeller and fix it with screws. Use new screws at each assembly.

14.2. Starting engine and performing engine test

Always observe the following procedure:

1. Check propulsion unit according to its manufacturer's instructions.
2. Check propeller integrity.
3. Set speed selector to the takeoff regime, i.e. to the fine pitch. This position of the speed selector corresponds to maximum rpm of propulsion unit.
4. Start the engine.

On starting the engine, the propeller will achieve its idle speed. Observe engine warm-up instructions and gradually increase the speed using throttle lever. Propeller remains at the fine blade pitch stop; the governor usually does not intervene. It may intervene if weather conditions differ considerably from standard and near engine's maximum power output. Under standard conditions ROTAX 912 engine will run at 5400 to 5500rpm depending on the plane type, with the governor limiting the speed at 5730 to 5750rpm.

5. Bleed the control system

If engine test is carried out after installation of new propeller, after oil change, or after a long period when the propeller was out of operation, it is necessary to bleed propeller control system. To carry out bleeding, set full throttle and set speed selector to maximum propeller speed (same position as when warming up engine). Then, move the selector gently toward lower propeller speed, i.e. toward higher pitch. When the propulsion unit speed decreases by 50–100rpm (without any manipulation with throttle lever), put the selector back to maximum speed position. Repeat these steps five times.

It is a serious mistake to decrease propeller speed further toward minimum value during this procedure, as the blade angle will become too high for this regime and the blades operate at too high pitch. The propeller will sustain this mishandling, but its life will be shortened.

Presence of air in the control system translates to “softness” of constant speed during flight, but this should cease soon and the propeller will finish bleeding on itself.

6. Verification of governor function

During engine test, which is part of normal operation of aircraft, it is not necessary to bleed the system. Checking the operation of control system will suffice. The method is the same as during bleeding; simply check the rpm dropping and recovering once.

14.3. Taxiing

Leave the speed selector in takeoff position i.e. fine pitch and maximum speed during taxiing. Control the aircraft velocity using throttle lever or brakes, as necessary. Propeller speed will be controlled by throttle lever, with governor not intervening.

Constant speed propeller usually allows finer control of aircraft velocity during taxiing, compared to fix or ground adjustable propeller. However, higher rpm may be required to achieve the same ground velocity; engine rpm will be higher, but actual power required will be lower.

14.4. Take Off

Set full throttle and keep the speed selector in the takeoff position. As the plane gathers velocity, during takeoff run and initial climb, propulsion unit rpm rise automatically till they reach maximum value set by the governor. Then the governor intervenes, keeping rpm constant.

After finishing the initial climb, it is advisable to go from the takeoff power output (limited to max. 5 minutes with ROTAX 912 engine) to maximum continuous power (full throttle and 5500rpm for ROTAX 912 engine). The most convenient and safe transition to maximum continuous power is to decrease engine speed using propeller speed selector, while keeping throttle fully open. On reaching required altitude, throttle down according to the required air velocity.

Any attempt to decrease engine rpm during flight by closing throttle is serious mistake, resulting from misunderstanding of how constant speed propeller works. On an engine fitted with a constant speed propeller, throttle lever actually controls propeller thrust, not rpm. Closing throttle during flight will reduce engine rpm near idle speed, where all propeller thrust is lost. Inexperienced pilot closing throttle during climb is in danger of getting into risky second regime of flight.

14.5. Horizontal Flight

Constant speed propeller offers the most economical operation in the horizontal flight – minimum fuel consumption for a given range or endurance. High flight velocity can be obtained without overloading the engine load, and acoustically comfortable engine operating regime can be selected. Calculation of propeller unit setting to achieve the most economical operation is complicated, requiring input of multiple performance characteristics of aircraft, engine, and propeller. However, virtually the same result can be obtained experimentally through test.

It is advisable to perform this test as follows:

1. At your preferred flight level, set throttle and speed selector to achieve normal flight regime (e.g. 4800 to 5500rpm); allow this regime to stabilize.
2. Use speed selector to achieve engine speed recommended by its manufacturer, e.g. 4300rpm, NOT TOUCHING the throttle lever.
3. Do not touch speed selector and adjust engine throttle to arrive at flight velocity selected in step 1.

If propeller and engine load is too high after this adjustments (keep checking engine exhaust and oil temperature and boost pressure), reduce engine load by lowering propeller pitch (by setting governor control to 4800, 5200rpm and so on) and always correct flight velocity using throttle lever. If aircraft manufacturer recommends other procedure in aircraft operation manual, such procedure should prevail. In most flight regimes, lower engine rpm means lower fuel consumption per hour, and higher propulsion efficiency of propeller.

14.6. Aircraft Manoeuvres and Turbulence

The propulsion unit keeps set speed without pilot's intervention.

14.7. Maximum Flight Velocity

Some aircraft do not achieve maximum horizontal flight velocity at maximum propeller speed, but at full throttle and slightly reduced propeller speed. A suitable setting should be found according to procedure in Chapter 14.5.

The governor will protect the engine from overspeeding up to aircraft's never exceed velocity plus a small safety margin (V_{NE}).

14.8. Landing

During landing, speed selector must be set to takeoff position no later than after the final turn. This makes the recovery of flight velocity and height easier in critical situation (wrong landing calculation, obstacle on runway). You need not be afraid of fast opening engine throttle from idling to maximum power, as the governor will protect the propulsion unit from overspeed.

14.9. Stopping the Engine

Before stopping the engine, set speed selector to takeoff position and keep it in this position when not airborne, too.

14.10. Emergence Procedures

KW-30 propellers are reliable, but as the possibility of failure can never be completely eliminated, all pilots must know correct procedures allowing safe completion of flight in case of a failure.

Propeller governor failure usually results in blocking of certain propeller pitch between the stops or at one of the stops. Propeller then effectively becomes fixed-pitch propeller. In this case, propulsion unit can only be controlled by throttle lever. The other type of failure includes loss of control stability due to e.g. impurities in oil entering the governor or the propeller. Depending on the position in which the blades have locked and depending on the flight regime, the pilot should act as follows:

A) Propeller blades locked in fine pitch range

The failure is indicated by increased rpm at flight velocity higher than the optimum velocity of climb.

If this failure occurs before or during takeoff or initial climb, it will go unnoticed and takeoff will complete as usual. The pilot will notice this failure as the aircraft gains velocity and the engine starts overspeeding.

It is necessary to reduce flight velocity to aircraft's optimum velocity of climb. At lower velocities, engine's entire performance envelope can be used.

If this failure occurs at high flight velocity, the engine rpm may increase considerably. The pilot should react by quickly closing throttle, to idle position if possible, and wait for the velocity to drop to optimum velocity of climb, then open throttle again and continue flying at lower velocity.

In both cases described above, slightly increased engine speed is tolerable for shorter period, as necessary.

Continue flying to nearest location suitable for precautionary landing.

B) Propeller blades locked in coarse pitch range

The failure is indicated by reduced rpm which can only be compensated by opening engine throttle. Pilot should increase engine power and if flight level allows it, descend to increase flight velocity. Gaining sufficient flight velocity is absolute priority. Propulsion unit is capable of maintaining level flight in this condition, and slow climbing as well, at suitable velocity. Consider your landing approach thoroughly, as "go around" may be impossible depending on many factors (wing equipment and/or landing gear in landing configuration).

Continue flying to nearest location suitable for precautionary landing.

C) Loss of control stability

This failure is indicated by fluctuating speed of the propulsion unit. Speed control should be quickly set to maximum rpm position, and engine power reduced to value sufficient for safe completion of current manoeuvre. This will reduce governor's workload.

Continue flying to nearest location suitable for precautionary landing.

15. Transport, Handling, Storage

15.1. Propeller Delivery

Propeller is delivered complete, with a governor, attachment hardware, and necessary documentation.

15.2. Handling

Propeller must be handled very carefully, to prevent damage, including e.g. damage by impact.

When transporting disassembled propeller, blades must be protected by cloth pockets. For safer transport, we recommend to place propeller into solid box (cardboard, plywood). Compete propeller must be transported in horizontal position with the hub supported.

15.3. Storage

During storage, blades must be protected by cloth pockets. Before long-term storage, we recommend to clean propeller body and blades with lukewarm water and detergent.

Compete propeller must be stored in horizontal position with the hub supported, or hanged by attachment holes.

Storage condition: temperature 5° to 25°C, relative humidity up to 80%.



It is prohibited to store and/or transport the propeller standing on blade tips – even for short time!

15.4. Transport

Propeller is always delivered in special carton package, which may be used to return the propeller to manufacturer or authorized service centre for service inspections.

Note:

When sending propeller for overhaul, it may only be sent disassembled provided that disassembly was performed by authorized service centre.

15.5. Responsibility for Transport

When standard packing recommended by the manufacturer is used to transport the propeller, the manufacturer bears responsibility for proper packing at manufacturing plant, up to acceptance of the package by the transport company, which takes over the responsibility afterwards.

Customer must always check that propeller packing is undamaged on receipt of the package from the transport company.

If packing is damaged on receipt, unpack the product in presence of the transport company representative, observe, record, and/or claim the damage.

16. Inspections

Mandatory inspections must be performed by the manufacturer or a service centre authorized to perform aircraft maintenance according to the internationally valid regulations (EASA, FAA, etc.) – “Authorized service centre” in the following text, in the intervals specified below:

Chap.	Type of inspection	Operating hours	Performed by
16.1	Pre-flight inspection	Before each flight	Pilot or designated mechanic/technician
16.2	Check tightening the fastening nuts	After 25 operating hours from each new installation to the engine	Aircraft engineer (AML ICAO, AML Part 66, etc.)
16.3	On-aircraft periodical inspection	Each 100 op. hrs / 1 year ¹⁾	Maintenance organization of the aircraft with the propeller is certified
16.4	Medium repair	See Chap. 16.4	Propeller manufacturer or Authorized service centre
16.5	Overhaul	Service Bulletin No. 01	Propeller manufacturer or Authorized service centre
18	Exceptional	Special inspections	Propeller manufacturer

¹⁾ Whichever occurs first



CAUTION

Each inspection must be recorded in Propeller Log Book.

16.1. Pre-flight Inspection

Perform visual check before each flight:

- Tightening of all screws;
- Attachment of propeller to engine flange;
- Condition of blades, leading and trailing edges. Condition of blade roots at connection to propeller hub;
- Condition of propeller spinner, attachment to propeller.

Defects, if discovered, must not exceed the scope detailed in Chapter 19.

On discovering unacceptable defects, stop using the propeller immediately and send the propeller for repair to manufacturer or authorized service centre!

16.2. After first 25 operation hours or after each new installation

Check tightening torque of flange nuts (22Nm). Use torque wrench with valid calibration.

16.3. After 100 operating hours

Perform actions described by TN-30 technological process.

The 100 hours inspection is performed after each 100 hours of operation or as a part of each one-year aircraft inspection - whichever occurs first.

The 100 hours inspection may be performed by the Authorized maintenance organization of the aircraft with the propeller installed.

16.4. Medium Repair

Medium Repair is performed when half of the established operational hours or calendar interval of Overhaul (TBO) is met –whichever occurs first.

Medium Repair may only be performed by the manufacturer or an Authorized service centre.

16.5. Overhaul

The time between overhauls (TBO) of the KW-30 propellers is established by Service Bulletin No. 01 in the current wording (see www.woodcomp.cz).

Overhaul may only be performed by the manufacturer or an Authorized service centre.



**Without mandatory inspections being regularly performed,
the propeller is not airworthy and must not be used.**

17. Airworthiness Limitations Sections

This Airworthiness Limitations Section (ALS) is EASA approved in accordance with Part 21A.31(a)(3) and CS-P40(b). Any change to mandatory replacement times, inspection intervals and related procedures contained in this ALS must also be approved.

18. Special Inspections

Special inspections are necessary when:

- When major damage to blade by impact of foreign object (stone, bird, hail, etc.) is detected
- In case of careless or prohibited handling;
- In case of propeller overspeeds specified for particular configuration, by more than 150rpm not exceeding max. 30sec;
- In case of lighting strike;
- In all cases of operating the propeller outside the conditions/ranges stated in this manual.

Special inspections may also be required e.g. when installing propeller on other engines than those approved in Service Bulletin No. 4.

Special Inspections can be performed only by the propeller manufacturer.



WARNING!

Damage to the propeller is more dangerous than damage to the engine!

19. Repairs

This chapter describes repairs of small damages which may be performed by the user. Description of damage and method of repair must be recorded in the Propeller Log Book.



WARNING!

More serious damage can only be repaired by the manufacturer

19.1. Blade Repairs

Only small dents and cuts on the blade surface or leading edge may be repaired. In case of any doubt about blade condition contact the manufacturer or authorized service centre.

Blade surface:

Maximum permitted depth of damage to suction or pressure side of blade is 0.7mm. Surface area of single repaired spot must not exceed 0,5cm²

Maximum permitted depth of damage to trailing edge is 2mm, repaired locations must be farther than 80mm away from each other, and must not be longer than 15mm.

Pay special attention on leading edge or trailing edge damage. Such damage may cause penetrating of moisture to wooden core and must be repaired as soon as possible.

Repair procedure:

1. Clean and dry the location.
2. Use fine file or sandpaper to prepare the location.
3. Fill the location with epoxide filler.
4. Let cure and grind to blend with the surroundings.
5. Apply polyurethane paint to repaired location.

Hairline cracks of the top surface are permitted when located in the gelcoat layer. In the case of fast development (growing) into the composite skin stop the propeller operation immediately and contact the manufacturer or an authorized service centre.

Polyurethane leading edge sheath

Maximum permissible depth of damage is 2 mm providing that the repaired locations are minimum 80 mm far away each from each other and do not exceed 15 mm of length each. No cracks in the sheath are permitted. The sheath must always be well glued along its whole length.

The sheath repair shall be done only by means of grinding or using a fine file to make smooth transition between the damaged location and surrounding area. No filling of damaged location using any material is permitted.

Stainless steel leading edge sheath

Maximum permissible depth of damage of the stainless steel sheath is 1 mm providing that repaired locations are minimum 80 mm far away each from each other and do not exceed 5 mm of length each. The sheath must not be pierced and no cracks in the sheath are permitted. The sheath must always be well glued along its whole length.

Repairs of the stainless leading edge sheath are prohibited.

19.2. Repairs of Propeller Hub and Metal Parts

Repairs of propeller hub and metal parts are strictly prohibited!!

19.3. Repairs of Propeller Spinner

Only small surface cuts on outside surface not deeper than 0.5mm may be repaired.

Repair procedure:

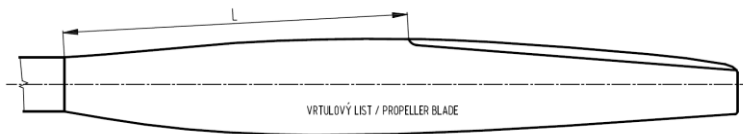
1. Clean and dry the location.
2. Use fine file or sandpaper to prepare the location.
3. Apply polyurethane paint to the dent/cut.

19.4. Replacement of Polyurethane Protective Tape

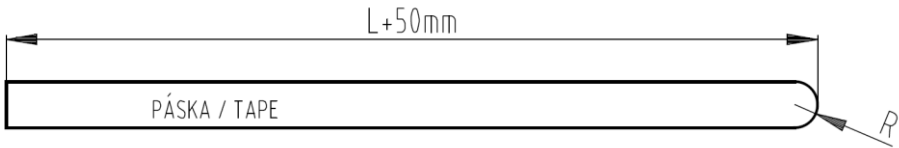
Use only the tape provided or specified by the propeller manufacturer only, see the illustrated catalogue of parts IPC KW-30.

Replacement procedure:

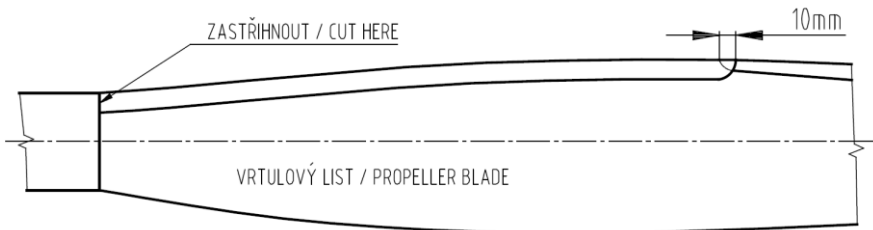
1. Carefully remove old tape (slightly heat the tape using hairdryer).
2. Clean the surface from dust and oil. The rest of glue carefully remove using acetone or MEK (methylethylketone).
3. Measure the distance from the root section to the leading edge sheath (polyurethane or stainless steel).



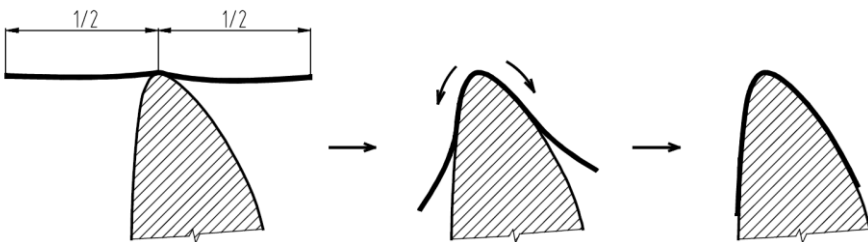
4. Prepare a piece of the self bonding protective tape approximately 50 mm longer than the measured length. Finish one end of the tape by radius.



5. Carefully remove backing tape from the new tape, taking care not to touch/soil the glue surface. The end with the radius shape shall be oriented in the blade tip direction and glued approximately 10 mm over the sheath (polyurethane or stainless steel). Cut the opposite end of tape in line with the rim of the blade sleeve.



6. Apply tape to prepared blade surface. Use plastic spatula to force out air bubbles, or puncture the tape by a pin, and press out air using a roller or finger pressure. Do not use a blade or razor to cut the tape!!



7. Place the propeller into operation no sooner than after 24 hours from applying the tape, when the glue fully cures.

20. Troubleshooting

If you cannot solve a problem according to the following instructions, contact the manufacturer or an authorised service centre.

Problem	Possible Cause	Solution
Propeller vibrates	Propeller damaged	Check propeller and its accessories visually. Repair damage or contact manufacturer
	Wrong attachment of propeller	Check propeller-to-engine attachment and securing. If defect is found, reinstall propeller or contact manufacturer
	Unbalanced propeller	Dismantle, check balance or have the propeller balanced by manufacturer
	Defective engine	Follow instructions provided by engine manufacturer
Speed fluctuation	Defective propeller	Contact propeller manufacturer
	Defective governor	Contact governor manufacturer
	Defective engine	Contact engine manufacturer
Oil leak between engine flange and propeller	Defective sealing ring	Change sealing ring according to chapter 14.1. - item 4.
Oil leak at other propeller parts	Defective propeller	Contact propeller manufacturer
When on ground, propeller does not return to small pitch angle or returns slowly	Passive forces of servo mechanism	If this only happens with propeller on ground without airplane forward motion, there is actually no problem. When the plane sets into motion, the blade setting moment will increase to a sufficient value. If this does not happen, contact the manufacturer.

21. Warranty Conditions

21.1. Warranty Period

The manufacturer accepts responsibility for faults of new and unused product for the period of 24 consecutive months from sale to original purchaser recorded in the Warranty Certificate, or for 100 operating hours, whichever occurs sooner.

After 25 operating hours, propeller must be inspected by an aircraft mechanic (AML ICAO, AML Part 66, etc.) approved to perform works on the propeller, who will record the the action into the Propeller Log Book, otherwise the warranty becomes void.

Actual operating hours must be recorded to Propeller Log Book and Aircraft Log Book.

No unauthorized works or modifications in conflict with the approved airworthiness state of the propeller may be performed, otherwise the warranty becomes void.

The propeller must be operated according to manufacturer's instructions and provision of this User Manual.

21.2. Warranty Conditions

The user must present the manufacturer with completed Propeller Log Book and stamped/signed Warranty Certificate, along with proper records of propeller installation and operation.

21.3. Responsibility

The warranty does not cover possible secondary damages.

All legal relationships resulting from purchase of the propeller by the user, from services provided by the manufacturer during maintenance, and also all legal relationships resulting from propeller operation, especially those resulting from responsibility for propeller faults, responsibility for damages, and remuneration of property and other damages related to propeller operation, propeller accident, and related events, will be assessed according to Czech law, and will be decided according to it by applicable court in the Czech Republic.

21.4. Honoring the Claim

Faulty product will be assessed by the manufacturer within the warranty period, and if claim is accepted, faulty parts will be replaced with new ones, with parts and work free of charge. Original replaced parts become property of the manufacturer.

WARRANTY CERTIFICATE

Manufacturer:

Woodcomp Propellers s.r.o.
Vodolská 4
250 70 Odolena Voda
Czech Republic

Propeller Type-Model: KW-30

Variant:

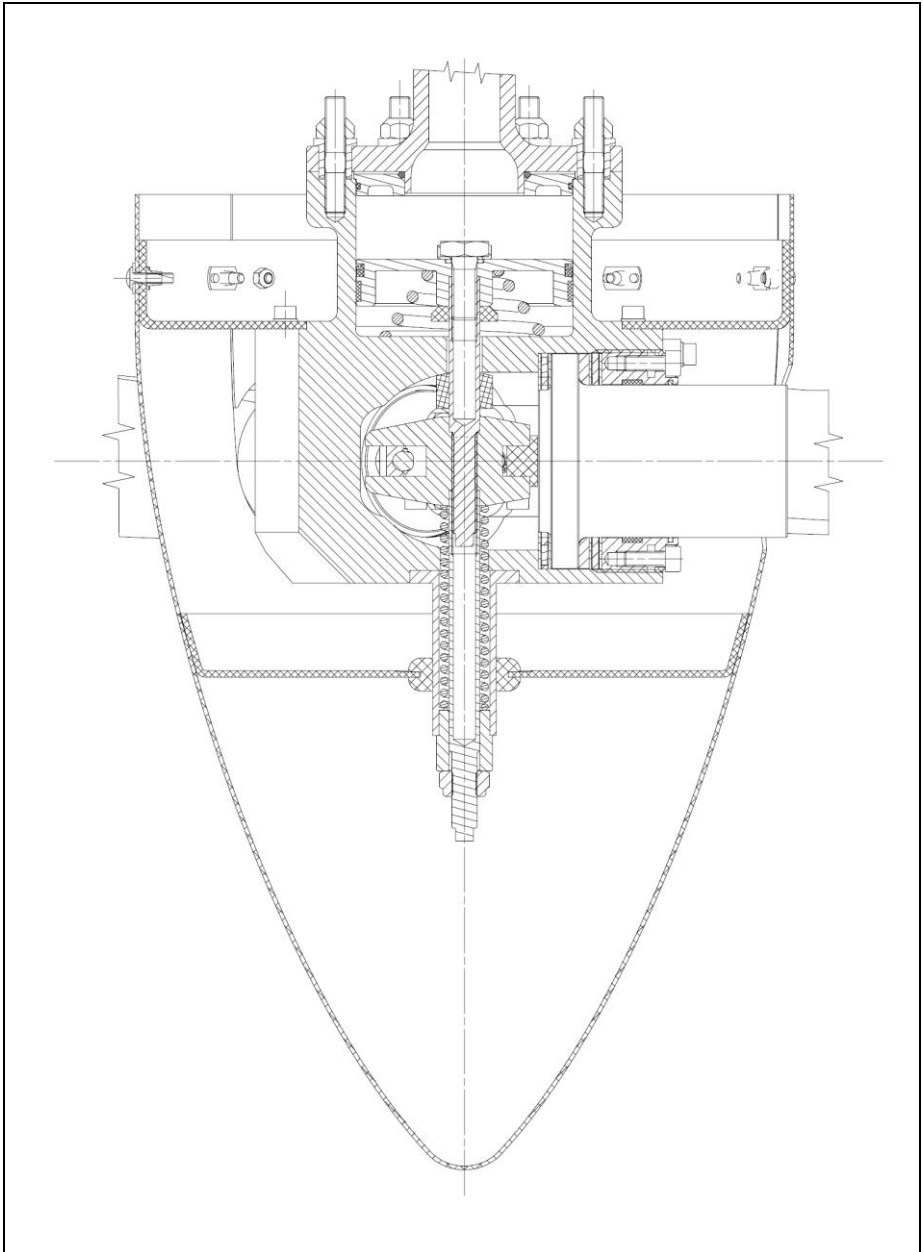
Type Certificate: EASA.P.177

Serial Number:

Date of Sale:

Supplier's Stamp and Signature:

Product warranty is subject to warranty conditions listed in Chapter 21 of this User Manual.

KW-30 PROPELLER

This page intentionally blank